

Burns and Ferrall Locations

AUCKLAND
12 Reg Savory Place
East Tamaki, Auckland

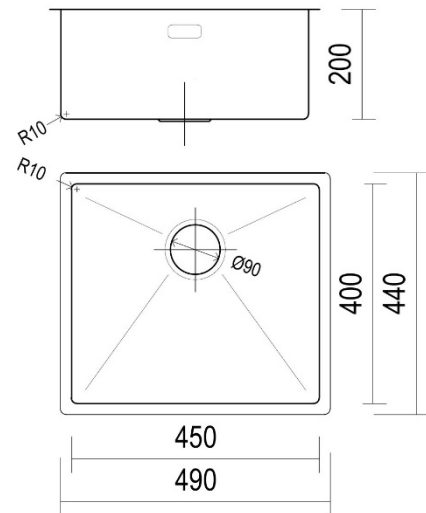
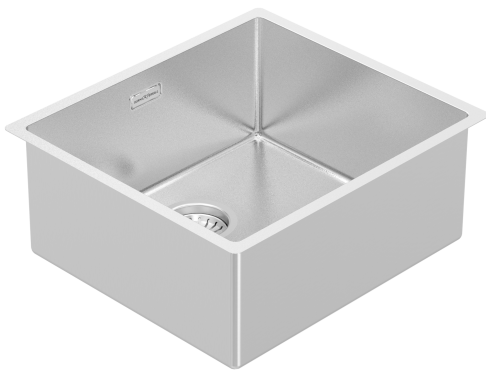
0800 697 465

WELLINGTON
122-124 Tory Street
Te Aro

HAMILTON
60 Alexandra Street
Central

CHRISTCHURCH
345 St Asaph Street
Christchurch

Product Specification Sheet DIM490R10



Designer R10

B&F Designer R10 450 Single Bowl

Models

14 DIM490R10

Corner Radius

10mm

Overall Dimensions W x D

490 x 440mm

Waste

90mm

Bowl Dimensions W x D x H

450 x 400 x 200mm

Installation

Undermount

Material & Finish

1.2mm 304 Stainless Steel,
DIAMOND FINISH

Minimum Cabinet Size

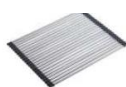
570mm

Accessories Available (optional)



BFDDT15

DRAINING TRAY
425 X 360mm



BFDRMB

ROLLER MAT
480 X 450mm



BFDCO

COLANDER
430 X 165mm



BFDCB15

CHOPPING BOARD
430 X 370mm



BFDDB

DRAINING BASKET
390 X 325mm



BFDCBCO15

BOARD & COLANDER
415 X 415mm

E&OE – it is recommended all measurements are taken directly from the product. Specification subject to change without notice, always consult the literature supplied with the product. Coloured images are indicative only.